

LD242A

Underwater LED Light



Data sheet - Page 1



The LD242A has been designed specifically for underwater applications. It is manufactured from 316 stainless steel and anodised aluminium, the LED is potted and the glass is mechanically sealed. The bezel is polished and passivated for extra protection against chlorine or salt water.

Key Features

- Integral anti-wicking barrier increases protection against moisture ingress due to incorrect IP rated cable connections
- First fix sleeve and 'O' rings to seal fitting into mounting surface
- Bezel is polished and passivated for pool and sea environments
- Available with 0-10V, DMX, Dali or Mains dimmable drivers
- Please specify with long cables to enable connections to be made in a dry location

Specification

Applications



Beam Angles

12°, 31°, 48°, 36° x 12°

LED type

1 x Cree XPG2

Colour temperature

2700K** / 3000K | 5000K

Drive Current (mA)

350	500	700	350	500	700
-----	-----	-----	-----	-----	-----

LED power* (W)

1.2W	1.7W	2.4W	1.2W	1.7W	2.4W
------	------	------	------	------	------

CRI (typical)

93	93	93	75	75	75
----	----	----	----	----	----

Forward voltage (V)₁₀₀

3.0V	3.2V	3.4V	3.0V	3.2V	3.4V
------	------	------	------	------	------

Delivered lumens** (L₁₀₀)

90	123	164	109	149	200
----	-----	-----	-----	-----	-----

Lumens per circuit watt

75	72	68	91	88	83
----	----	----	----	----	----

LED lifetime (to 70% lumen maintenance)

50,000hrs at a max ambient temperature of 35°C (if specifying fitting in ambient temperatures of up to 45°C run at 500mA max, LD242A-500)

Materials

Passivated & polished 316 stainless steel, anodised aluminium

Glass

5mm thick borosilicate

Wiring

Comes pre-wired with 2 core 100mm lead, can be specified with up to 10m at extra cost

IP rating

IP68 up to 2m

*LED wattage includes losses associated with using an 85% efficient driver

** 2700K lumen output is 12% lower than the 3000K figure listed

4000K lumen output is 14% higher than the 3000K figure listed (80 CRI)



LD242A

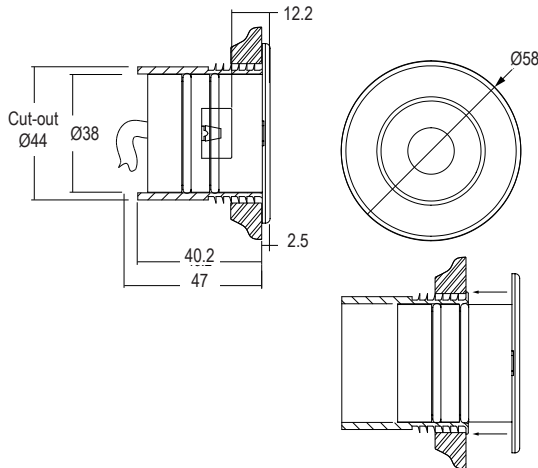
Underwater LED Light



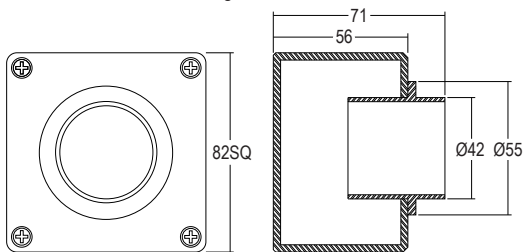
Data sheet - Page 2

Dimensions and Fixing Options

/476 - Fixing sleeve and O-rings



/242N - Concrete housing



(Dimensions in mm)



Photometrics

Photometric files are included in the design pack which can be downloaded from the LD242A product page on the website.

Order Codes and Options

Product code	LED colour	Lens angle	Finish	Fixing
LD242A - 350	<input type="text"/>	<input type="text"/>	<input type="text"/>	<input type="text"/>
- 500	<input type="text"/>	<input type="text"/>	<input type="text"/>	<input type="text"/>
- 700	<input type="text"/>	<input type="text"/>	<input type="text"/>	<input type="text"/>

Example: LD242A-700 / LW30 / MB / Stainless steel / 476

Product codes with output options

1.2W LED at 350mA	LD242A-350
1.7W LED at 500mA	LD242A-500
2.4W LED at 700mA	LD242A-700

LED colour options

Extra Warm White (2700K)	/LW27
Warm White (3000K)	/LW30
White (4000K) - on request	/LW40
Cool White (5000K)	/LW50
Red	/LR
Blue	/LB
Green	/LG
Amber	/LA

Beam / lens angle options

12° narrow spot	/NB
31° medium	/MB
48° wide	/WB
36° x 12° oval beam	/OB

Bezel finish

Polished and passivated stainless steel 316 (for marine environments)

Fixing options

First fix sleeve and O-rings	/476
Concrete housing	/242N

Use with 350mA, 500mA and 700mA constant current LED drivers

We have a wide range of dimmable LED drivers, 0-10V, DMX, DALI and Mains dimmable. Please see the downloads section on our website:

To run 1-14 LD242A-350 in series use a TXDEL350D (0-10V dimmable)

To run 1-14 LD242A-500 in series use a TXDEL500D (0-10V dimmable)

To run 1-13 LD242A-700 in series use a TXDEL700D (0-10V dimmable)